

Tone Vise Stabilizer Set-up Instructions

The stabilizer is a device to keep your floating tremolo bridge in tune when you bend up or break a string. And, at the same time it allows you to pull up on the tremolo to increase the strings pitch. The best solution to solve the headaches of floating tremolo bridges.

1. Set the bridge floating parallel to the body. If your guitar has 3 springs move the center one over to make a space for the stabilizer.
2. Put the stabilizer at the place shown in Fig A1. Stick the cushion on the block to prevent noise while in use. Make sure the tip on the brass bullet is touching the trem block. Mark and drill 4 1/16" pilot holes 1/4" deep. Be careful not to drill into a pickup.
3. Tighten the 2 screws on the claw and tune the guitar. If there is a gap between the Floating Adjusting Nut B and the stabilizer body, tighten the Counter Spring and the Adjusting Nut until the Floating Adjusting Nut B touches the stabilizer body.
4. Check if the bridge stays floating parallel to the body. If not, adjust it by turning the Floating Adjusting Nut B. Check the tuning after this adjustment.
5. After each setup, bend up the strings to check if the bridge is parallel or pulled up. If the bridge is pulled up you'll need to add a spring as shown in Fig A2 and perform the setup process again.

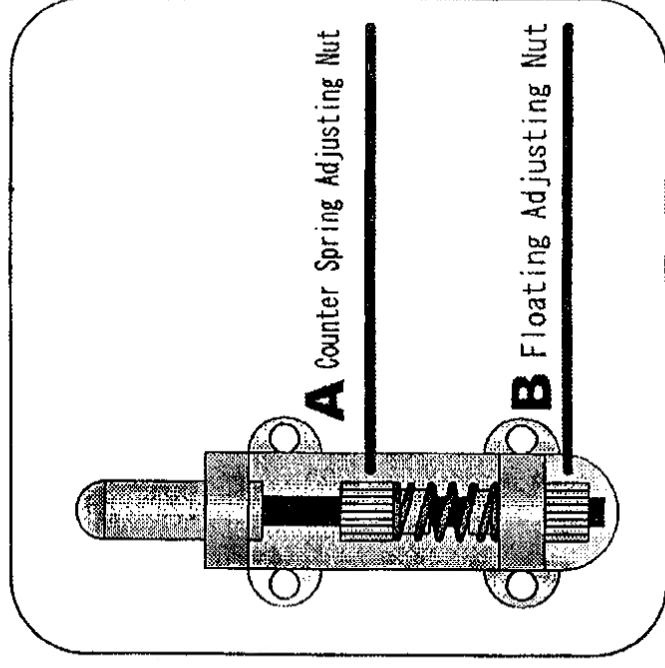


Fig--B

